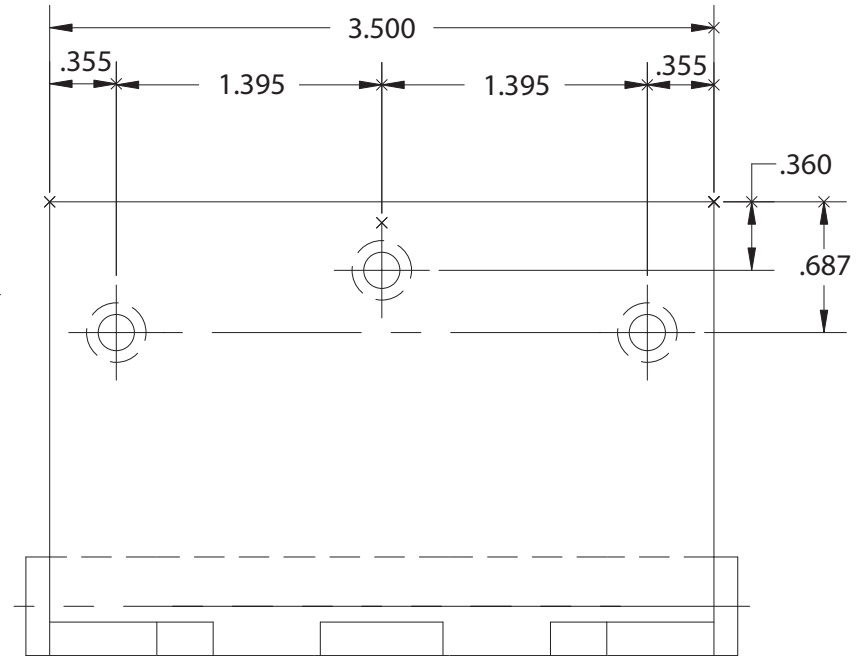
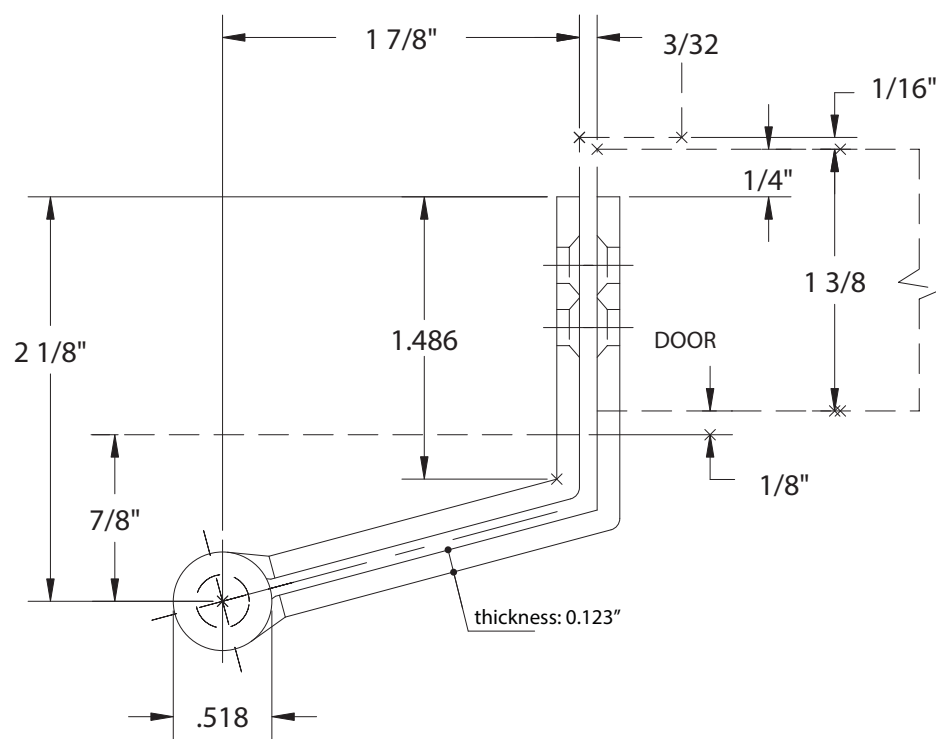


FULL MORTISE  
 SWING CLEAR  
 TEMPLATE HINGES  
 SIZE: 3 1/2"  
 FOR SQUARE EDGE DOORS



-DO NOT SCALE-

Machine Screw Size- 10-24 x 1/2" F.H.

Wood Screw Size- 1" x 9 F.H.

Designed to swing doors completely clear of the opening when door is opened 95. When opened 90, door projects 9/64 past stop of jamb.

NOTE: This template is used for square edge doors only. Recommended for doors not to exceed 45 lbs., 3'-0" x 7'-0".

NOTE: This hinge alters the normal pivot point of door. For door closers, friction or overhead door holders to be used in conjunction with this hinge, consult manufacturer of the device for application details.

CAL-ROYAL RESERVES THE RIGHT TO MAKE DESIGN CHANGES WITHOUT NOTICE.



6605 Flotilla St.  
 City of Commerce  
 CA 90040 USA  
 Tel: (323) 888-6601  
 FAX: (323) 888-6699  
 Website: cal-royal.com  
 Email: sales@cal-royal.com

ITEM NO.	DESCRIPTION	SCALE	UNIT	VERSION
<b>BB350</b>	3-1/2", 2-Ball Bearing Swing Clear Hinges	NOT TO SCALE	inches	ver. 1.0 rev. 07/14
		PAGE 1 OF 1		BY:bteves/adg